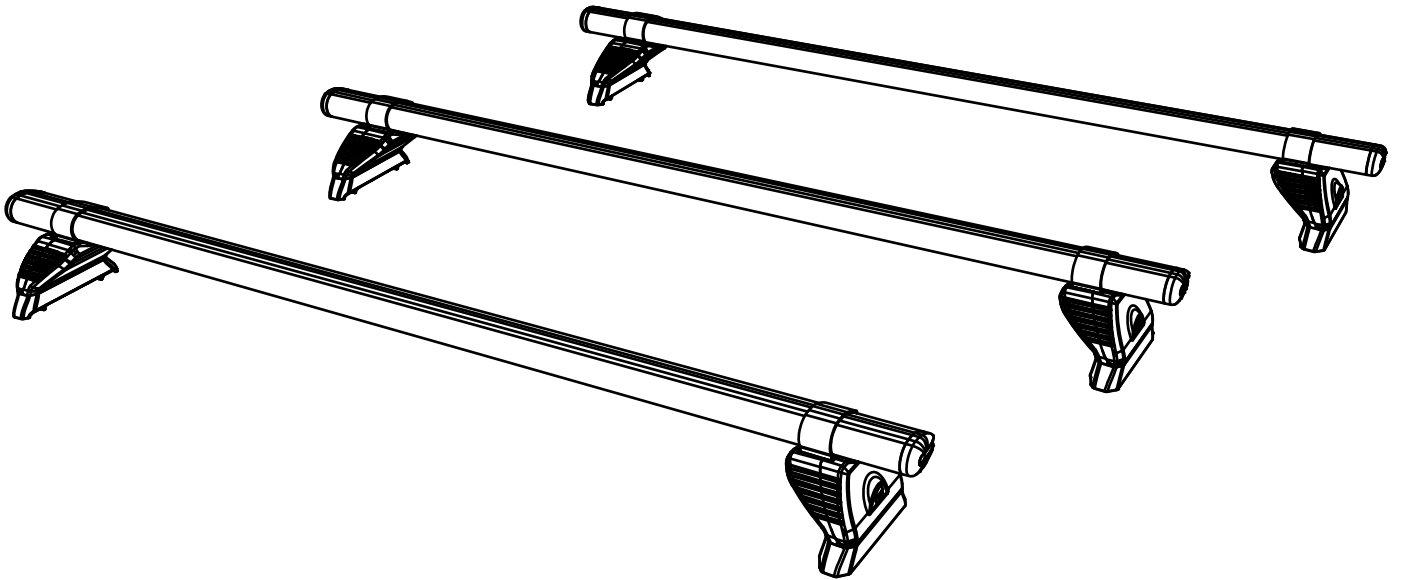


<b>ISSUE:</b>	<b>DRAWN BY:</b>	<b>CHECKED BY:</b>	<b>CRF No:</b>	<b>DATE:</b>	<b>DESCRIPTION:</b>
a	SJ	KB	2758	02/08/22	First Issue
b	YZL	KB	2958	22/05/23	Replaced SA070 with KLS2
c					
d					
e					
f					
g					
h					
i					
j					
k					
l					
m					

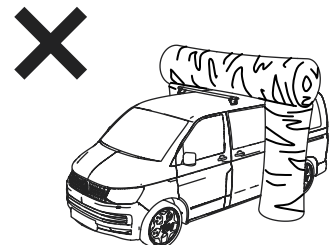
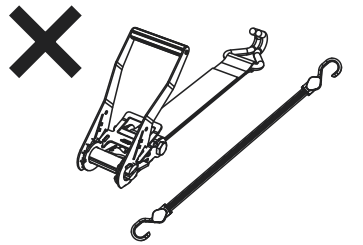
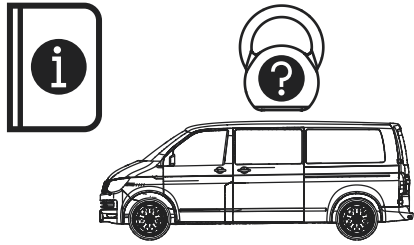
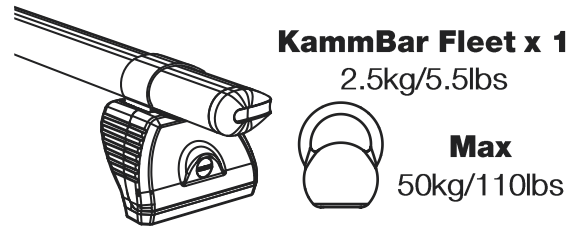
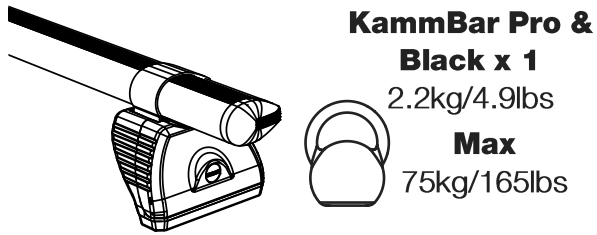
# TC3PR/FL KammBar

## Instructions

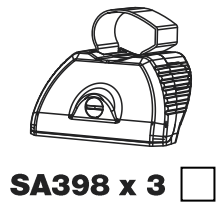
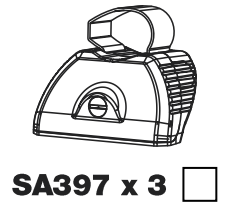
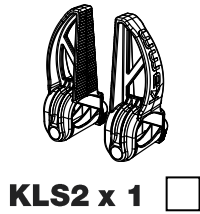
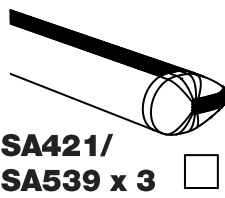


**CITY CRASH** (✓)

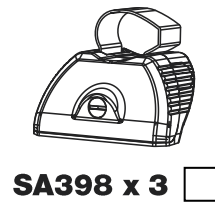
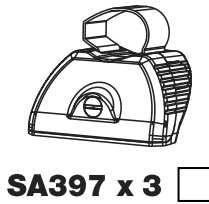
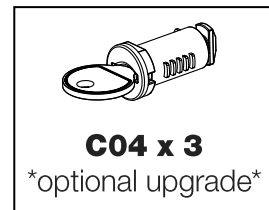
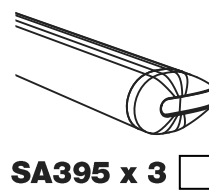
According to ISO/ PAS 11154:2006



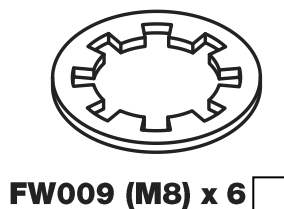
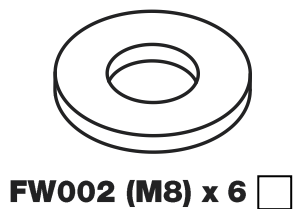
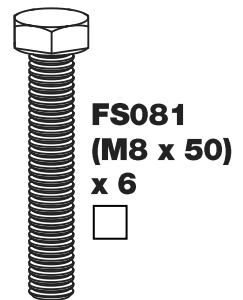
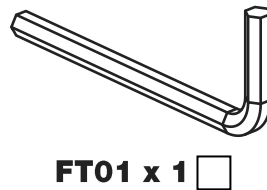
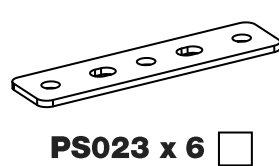
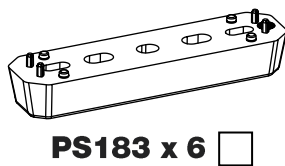
### KammBar Pro & Black



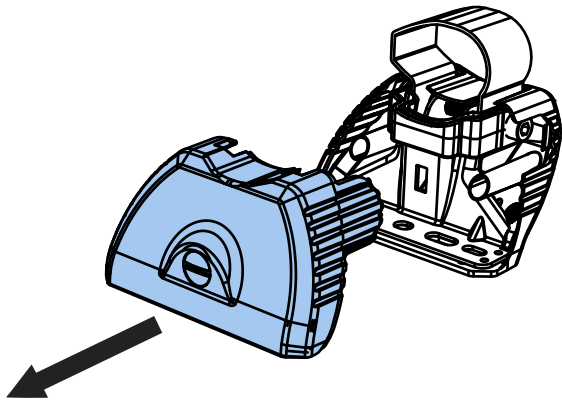
### KammBar Fleet



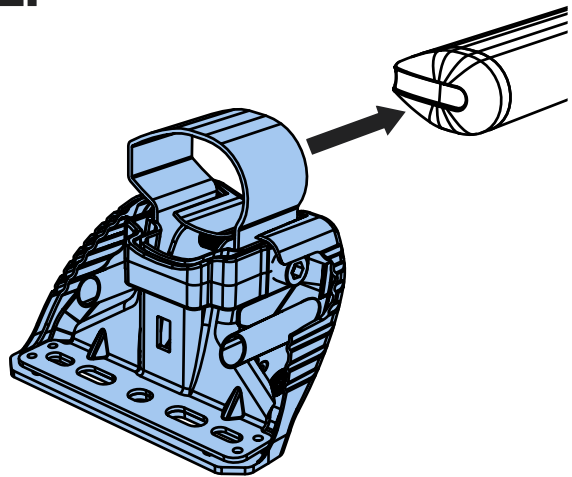
### Fitting Kit



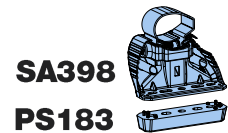
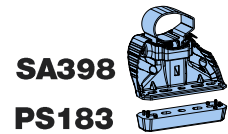
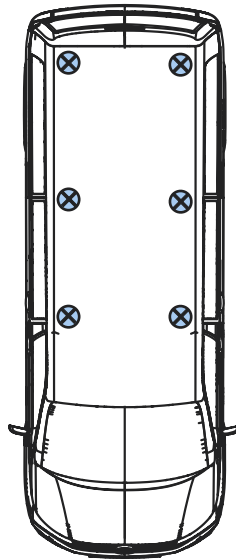
1.



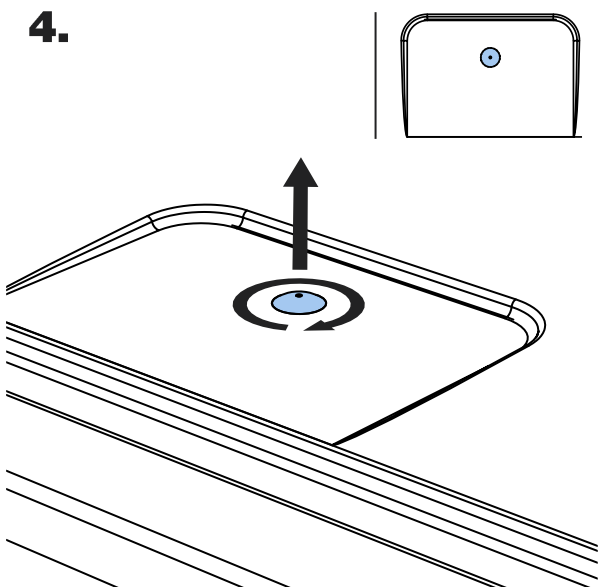
2.



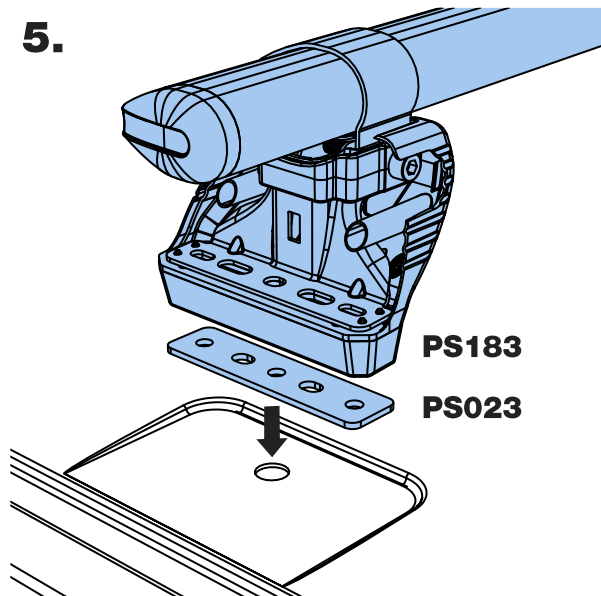
3.



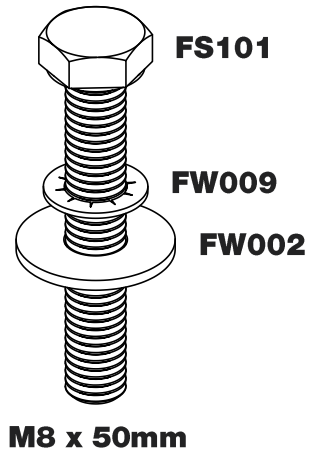
4.



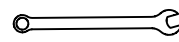
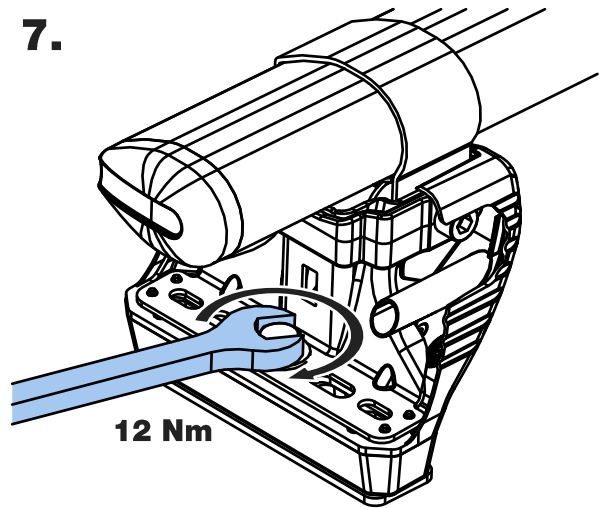
5.



6.



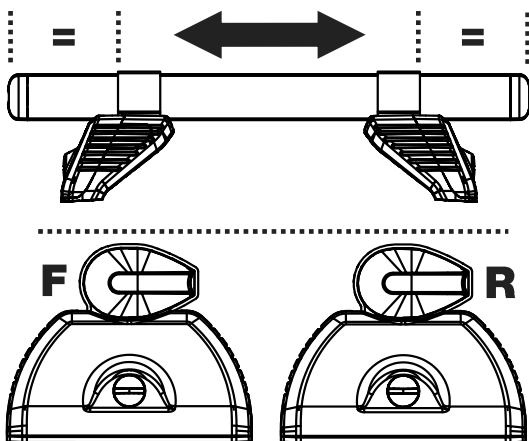
7.



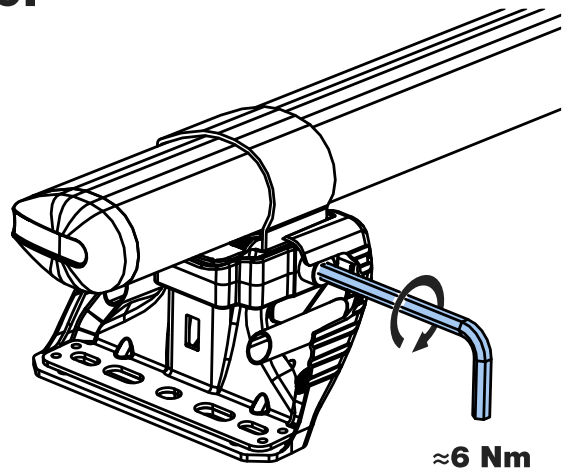
13mm

M8 x 50mm + PS183

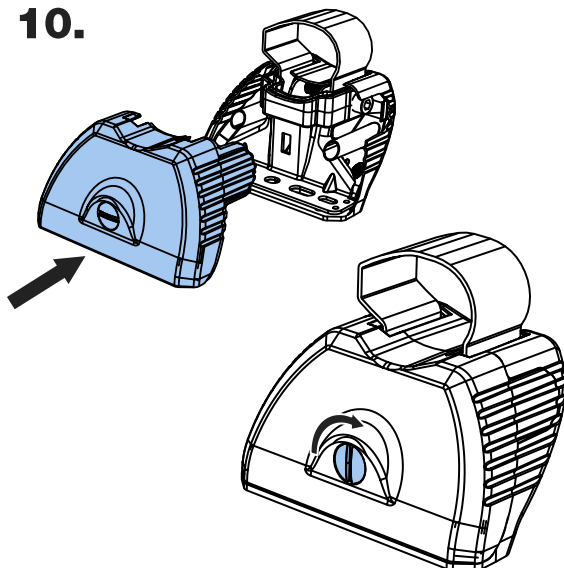
8.



9.



10.



11.

