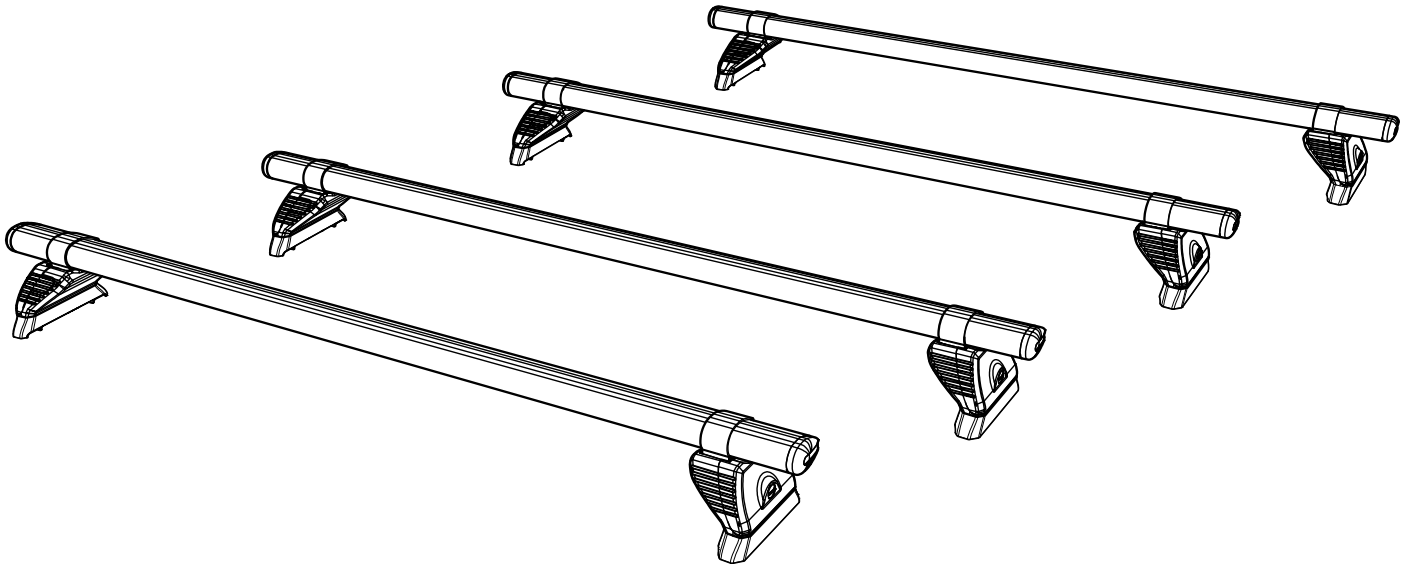


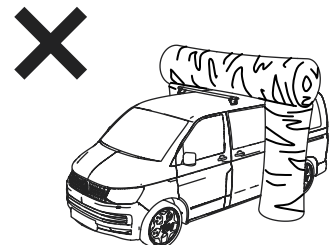
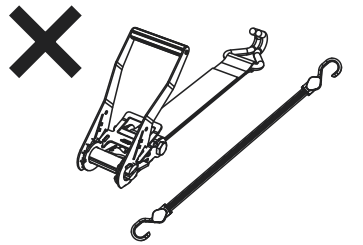
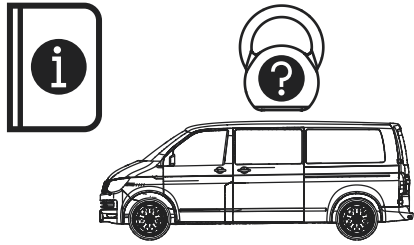
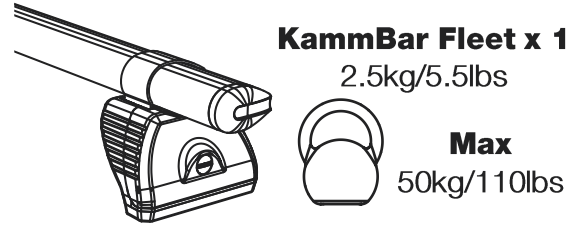
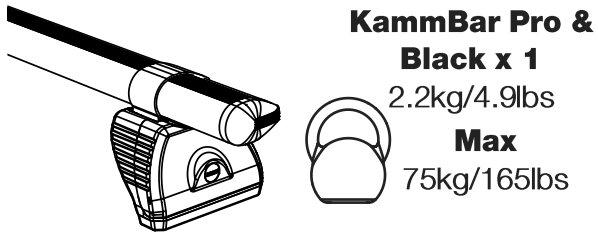
ISSUE:	DRAWN BY:	CHECKED BY:	CRF No:	DATE:	DESCRIPTION:
a	SJ	KB	2758	02/08/22	First Issue
b	YZL	KB	2958	22/05/23	Replaced SA070 with KLS2
c					
d					
e					
f					
g					
h					
i					
j					
k					
l					
m					

TC4PR/FL KammBar Instructions



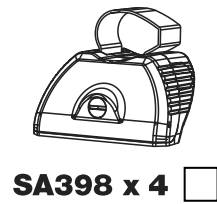
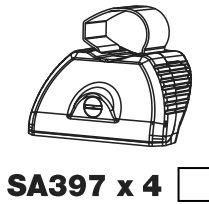
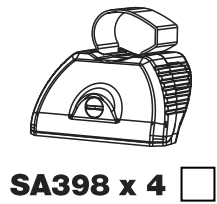
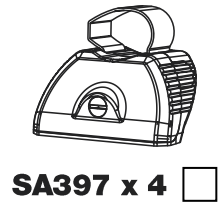
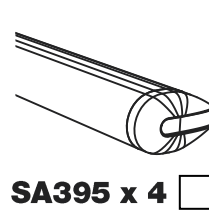
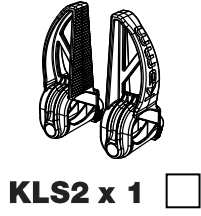
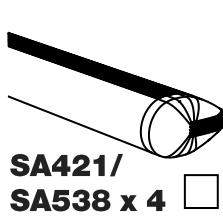
CITY CRASH (✓)

According to ISO/ PAS 11154:2006

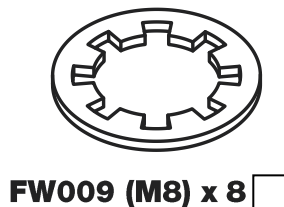
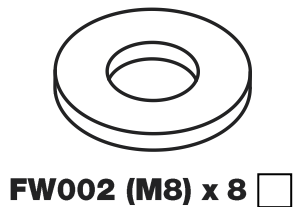
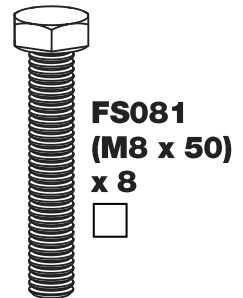
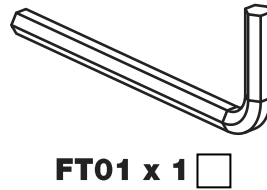
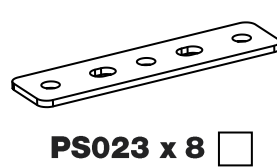
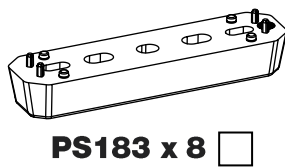


KammBar Pro & Black

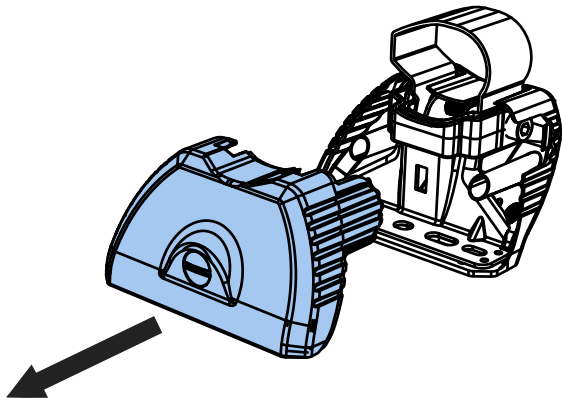
KammBar Fleet



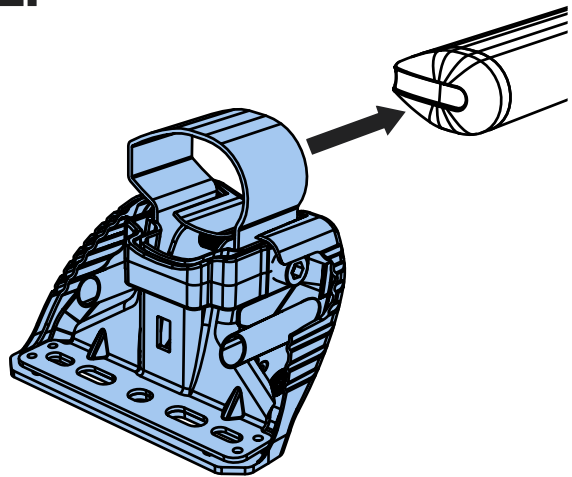
Fitting Kit



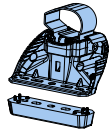
1.



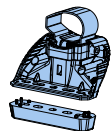
2.



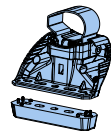
3.



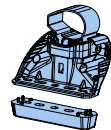
SA397
PS183



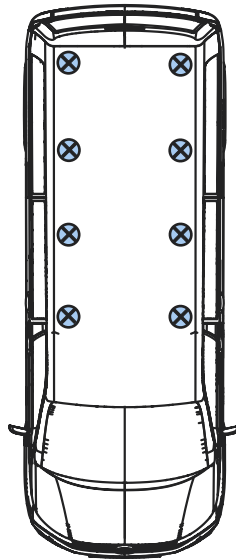
SA397
PS183



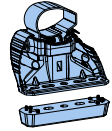
SA397
PS183



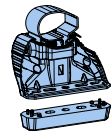
SA397
PS183



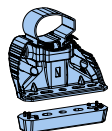
SA398
PS183



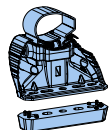
SA398
PS183



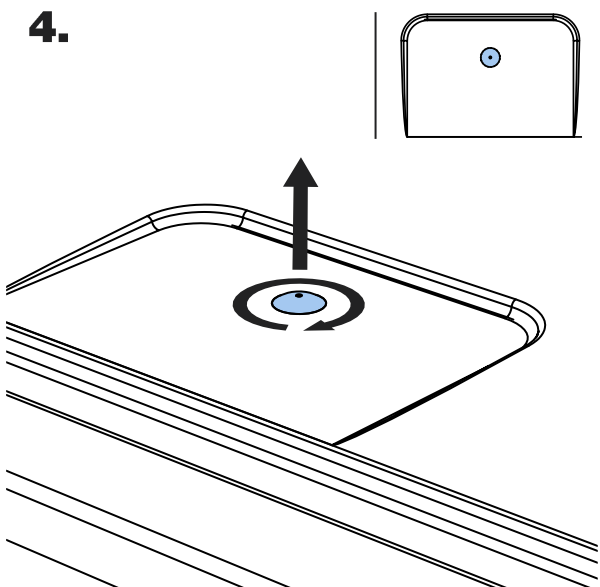
SA398
PS183



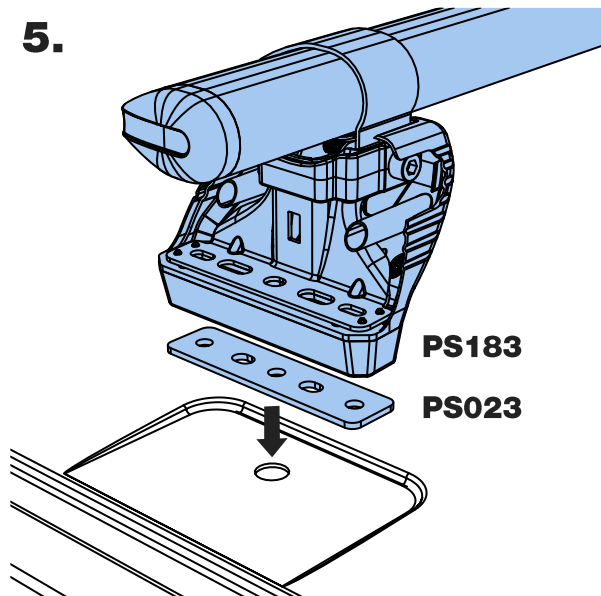
SA398
PS183



4.



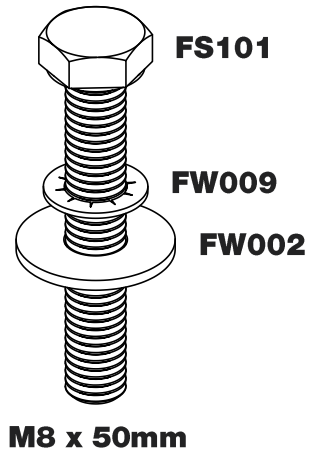
5.



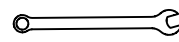
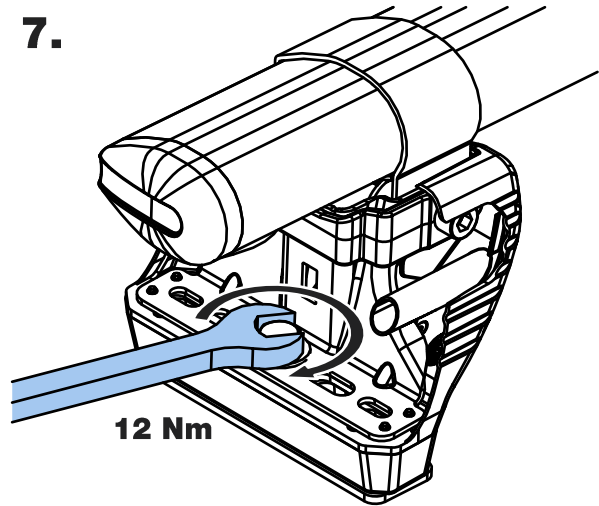
PS183

PS023

6.



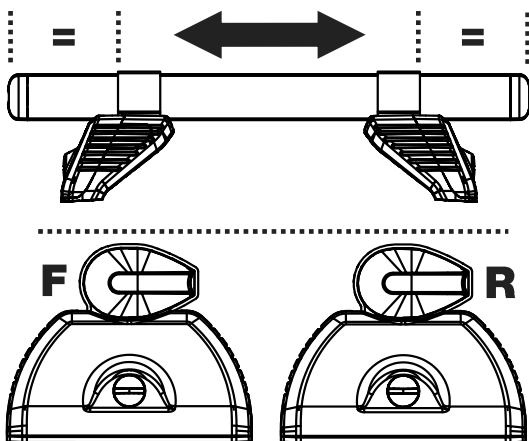
7.



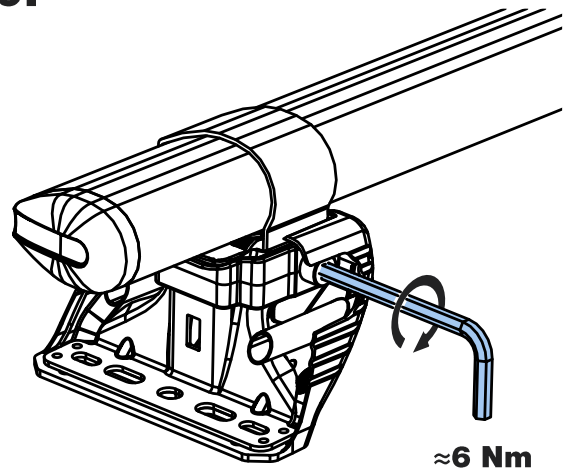
13mm

M8 x 50mm + PS183

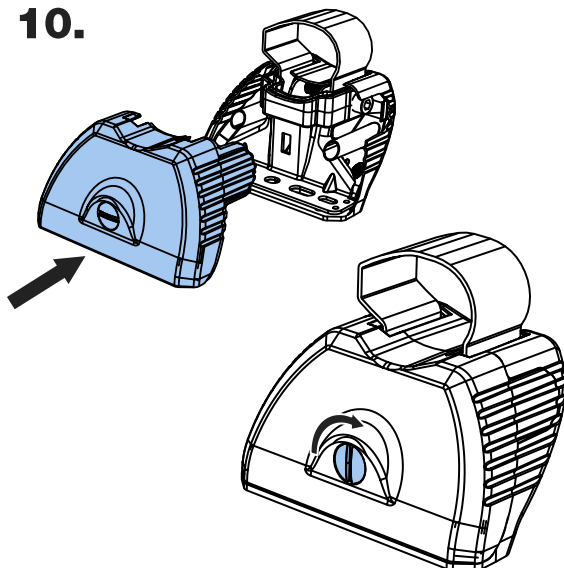
8.



9.



10.



11.

